

MAXIMUS MBA

EXPLOSION-PROOF COMMUNICATION BOX IN ALUMINIUM



MAXIMUS MBA

MAXIMUS MBA

DESCRIPTION

MAXIMUS MBA is much more than just a simple explosion-proof junction box. In fact it is defined as a communication box equipped with everything needed to connect one or more IP or analog cameras.

MAXIMUS MBA has been designed to integrate and work exclusively with the MAXIMUS range of Videotec products.

MAXIMUS MBA provides a local, low-voltage power supply. It also allows a Fast Ethernet connection, thanks to an integrated Ethernet switch equipped with 3 RJ45 ports and an SFP port for fibre optic connection. The type of SFP module can be chosen according to the installation requirements. The internal spaces are designed to make access to cables easier, and to increase user-friendliness when it comes to connection procedures. The internal board also offers the bypass for analog video signals and for all the inputs and outputs which are present in the Videotec MAXIMUS products.

MAXIMUS MBA has been designed to connect a PTZ camera and its washing kit, or in alternative two fixed cameras and their washing kits.

MAXIMUS MBA is built in marine grade aluminium protected by epoxy paint to offer maximum resistance in corrosive environments such as industrial or marine. MAXIMUS MBA is the complete and competitive solution for professional installation of the Videotec MAXIMUS range of explosion-proof products.

CERTIFICATIONS



Other certifications pending.

All updates on Certifications and Markings at www.videotec.com

MAIN FEATURES

Certifications for use in Zones 1 and 2, IICT5 or T6 Group (Gas) and in Zones 21 and 22, IICT100°C or T85°C Group (Dust)

Copper-free marine grade aluminium construction, RAL 9006 external epoxy paint

Designed to work exclusively with Videotec products and accessories

Plenty of space for cables and connections

Built-in Ethernet switch with 4 channels:

3 RJ45 ports, Fast Ethernet (10BASE-T/100BASE-T)

1 SFP port, Fast Ethernet (100BASE-FX), for fibre optic connection

2 bypass for analog video signals with BNC connectors

2 bypass for I/O signals with multi-pin connectors

Input voltages available: 230Vac, 120Vac, 24Vac

Extended/Industrial range electronics

Operating temperature: from -40°C (-40°F) up to +70°C (158°F)

IP66

TECHNICAL DATA

MECHANICAL

Copper-free marine grade aluminum construction
RAL 9006 epoxy exterior painting
Fastening holes: 4 x Ø13mm (0.5in)
Cable gland holes: 4 x 3/4" NPT + 2 x 1/2" NPT
External dimensions (WxHxL): 305x228x340mm (12x9x13.5in)
Unit weight: 16.3kg (36lb)

ELECTRICAL

MBA works with all MAXIMUS products in 24Vac.

Maximum power output: 120W

Input voltages available:

- 230Vac, 50/60Hz
- 24Vac, 50/60Hz
- 120Vac, 50/60Hz

Possible system configurations:

- up to 1 PTZ + 1 wash system
- up to 2 Cameras + 2 wash systems

NETWORK

4 channels unmanaged ethernet switch:

- 3 RJ45 ports
 - Ethernet connection: 10BASE-T/100BASE-T
- 1 SFP port (SMALL FORM FACTOR PLUGGABLE)
 - Ethernet connection: 100BASE-FX
 - Supply voltage: 3.3V
 - Standard: compliant MSA

The SFP module (not supplied by Videotec) must meet the following requirements:

- Laser: Class 1, complies with EN60825-1
- UL/IEC 60950-1 or 62368-1 Certification

ANALOGUE VIDEO

2 bypass for analog video signals with BNC connectors

I/O INTERFACE

2 bypass for I / O signals with multi-pin connectors

ENVIRONMENT

For indoors and outdoors installation

Installation temperature: from -60°C (-76°F) up to +80°C (+176°F) (T5) or +60°C (140°F) (T6)

Operating temperature: from -40°C (-40°F) up to +70°C (158°F)

Relative humidity: from 5% up to 95%

CERTIFICATIONS

Electrical safety (CE): EN60950-1, IEC60950-1

Electromagnetic compatibility (CE): EN50130-4, EN55032 (Class B), EN61000-6-4

Electromagnetic compatibility (North America): FCC part 15 (Class B), ICES-003 (Class B)

IP protection degree (EN60529): IP66

CERTIFICATIONS - EXPLOSION-PROOF APPLICATIONS

ATEX (EN 60079-0+A11, EN 60079-1, EN 60079-31)

IECEX (IEC 60079-0 Ed.6, IEC 60079-1 Ed.6, IEC 60079-31 Ed.2)

EAC Ex (TR CU 012/2011)

For further details on certifications and markings, consult the relevant table.

ACCESSORIES

| | |
|---------------|--|
| OCTEXBA3/4P | Barrier cable gland in nickel-plated brass EX 3/4" NPT, armoured cable IECEX-ATEX-EAC Ex |
| OCTEXBA1/2P | Barrier cable gland in nickel-plated brass EX 1/2" NPT, armoured cable IECEX-ATEX-EAC Ex |
| OCTEXB3/4P | Barrier cable gland in nickel-plated brass EX 3/4" NPT, unarmoured cable IECEX-ATEX-EAC Ex |
| OCTEXB1/2P | Barrier cable gland in nickel-plated brass EX 1/2" NPT, unarmoured cable IECEX-ATEX-EAC Ex |
| OEXPLUG3/4P | Plug EX 3/4" NPT IECEX-ATEX-EAC Ex |
| OEXPLUG1/2P | Plug EX 1/2" NPT IECEX-ATEX-EAC Ex |
| OCTEX1/2-3/4P | Cable glands reduction in nickel-plated brass Ex 3/4" - 1/2" NPT IECEX-ATEX-EAC Ex |

For further details about cable glands part numbers, please refer to the relevant table.

RELATED PRODUCTS*

| | |
|-------------------|--|
| MAXIMUS MHX | Ex-proof stainless steel housing |
| MAXIMUS MHXT | Ex-proof stainless steel housing for thermal cameras |
| MAXIMUS MMX | Ex-proof FULL HD camera in a compact design |
| MAXIMUS MPX | Ex-proof PTZ Day/Night camera |
| MAXIMUS MPXT | Dual vision PTZ with Day/Night and thermal cameras |
| MAXIMUS MPXHD | Explosion-proof Full HD PTZ camera |
| MAXIMUS MPX DELUX | Explosion-proof Full HD PTZ camera |
| MAXIMUS MVX | Ex-proof Day/Night camera |
| MAXIMUS MVXT | Ex-proof thermal camera |
| MAXIMUS MVXHD | Ex-proof FULL HD camera |
| MAXIMUS MVX DELUX | Ex-proof FULL HD camera |
| WASEX | Washer pump with ex-proof solenoid valve |

*MAXIMUS MBA can only be installed with the products of the MAXIMUS line.

PACKAGE

| Model Number | Weight | Dimensions (WxHxL) | Master carton |
|--------------|-------------|-------------------------|---------------|
| MBA155A | 20kg (44lb) | 66x33x57cm (26x13x22in) | - |

| CABLE GLANDS AND ACCESSORIES 1/2" NPT | | | | | | |
|---------------------------------------|-------------------|----------------------------------|------------------|--------------|--------------------------------|----------------------------|
| Type | Certification | Operating temperature | Cable | Model Number | Diameter of the external cable | Under armor cable diameter |
| Barrier cable gland | IECEX/ATEX/EAC Ex | -60°C (-76°F) / +135°C (275°F) | Unarmoured cable | OCTEXB1/2P | 12.5 - 14.0mm (0.5-0.55in) | – |
| | | | Armoured cable | OCTEXBA1/2P | 15.5 - 21.1mm (0.61-0.83in) | – |
| Plug EX 1/2"NPT | IECEX/ATEX/EAC Ex | -100°C (-148°F) / +400°C (752°F) | – | OEXPLUG1/2P | – | – |

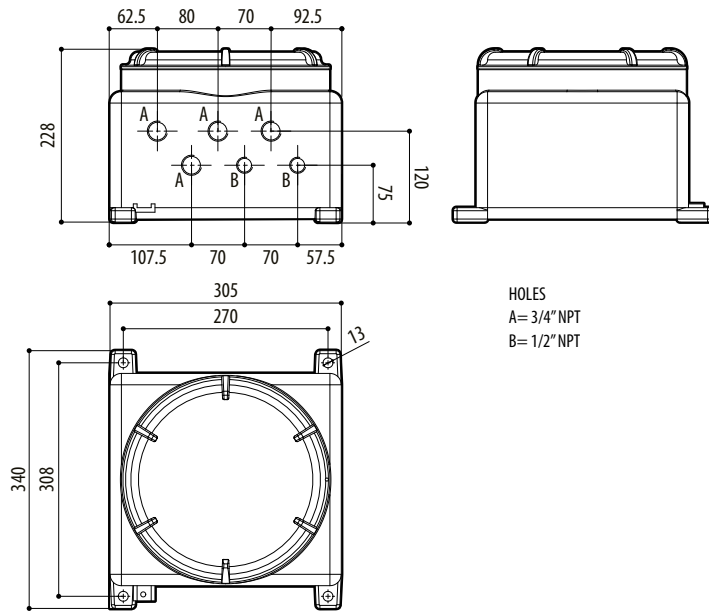
| CABLE GLANDS AND ACCESSORIES 3/4" NPT | | | | | | |
|---------------------------------------|-------------------------------|--------------------------------|------------------|--------------|--------------------------------|----------------------------|
| Type | Certification | Operating temperature | Cable | Model Number | Diameter of the external cable | Under armor cable diameter |
| Barrier cable gland | IECEX/ATEX/EAC Ex | -60°C (-76°F) / +135°C (275°F) | Unarmoured cable | OCTEXB3/4P | 17.8 - 20.0mm (0.70-0.79in) | – |
| | | | Armoured cable | OCTEXBA3/4P | 16.8 - 23.9mm (0.66-0.94in) | – |
| Conduit sealing fitting | IECEX-ATEX- c CSA us - EAC Ex | -60°C / +80°C (-76°F / +176°F) | – | OCTEXP3/4C | – | – |

| MAXIMUS MBA - CERTIFICATIONS AND MARKINGS | | |
|---|---|---------------------|
| Certification | Marking | Ambient temperature |
| ATEX | Ⓜ II 2 G Ex d IIC T5 Gb Ⓜ II 2 D Ex tb IIIC T100°C Db IP66 | -60°C ≤ Ta ≤ +80°C |
| | Ⓜ II 2 G Ex d IIC T6 Gb Ⓜ II 2 D Ex tb IIIC T85°C Db IP66 | -60°C ≤ Ta ≤ +60°C |
| IECEX | Ex d IIC T5 Gb Ex tb IIIC T100°C Db IP66 | -60°C ≤ Ta ≤ +80°C |
| | Ex d IIC T6 Gb Ex tb IIIC T85°C Db IP66 | -60°C ≤ Ta ≤ +60°C |
| EAC Ex | 1Ex d IIC T5 Gb X Ex tb IIIC T100°C Db X | -60°C ≤ Ta ≤ +80°C |
| | 1Ex d IIC T6 Gb X Ex tb IIIC T85°C Db X | -60°C ≤ Ta ≤ +60°C |

| MAXIMUS MBA - CONFIGURATION OPTIONS | | | |
|-------------------------------------|-----------------|----------|-------------------------|
| | Input voltage | | Temperature class |
| MBA | 1 230Vac | S | 5 T5 -60°C/+80°C |
| | 2 24Vac | | 6 T6 -60°C/+60°C |
| | 3 120Vac | | |

TECHNICAL DRAWINGS

The indicated measurements are expressed in millimetres.



MAXIMUS MBA